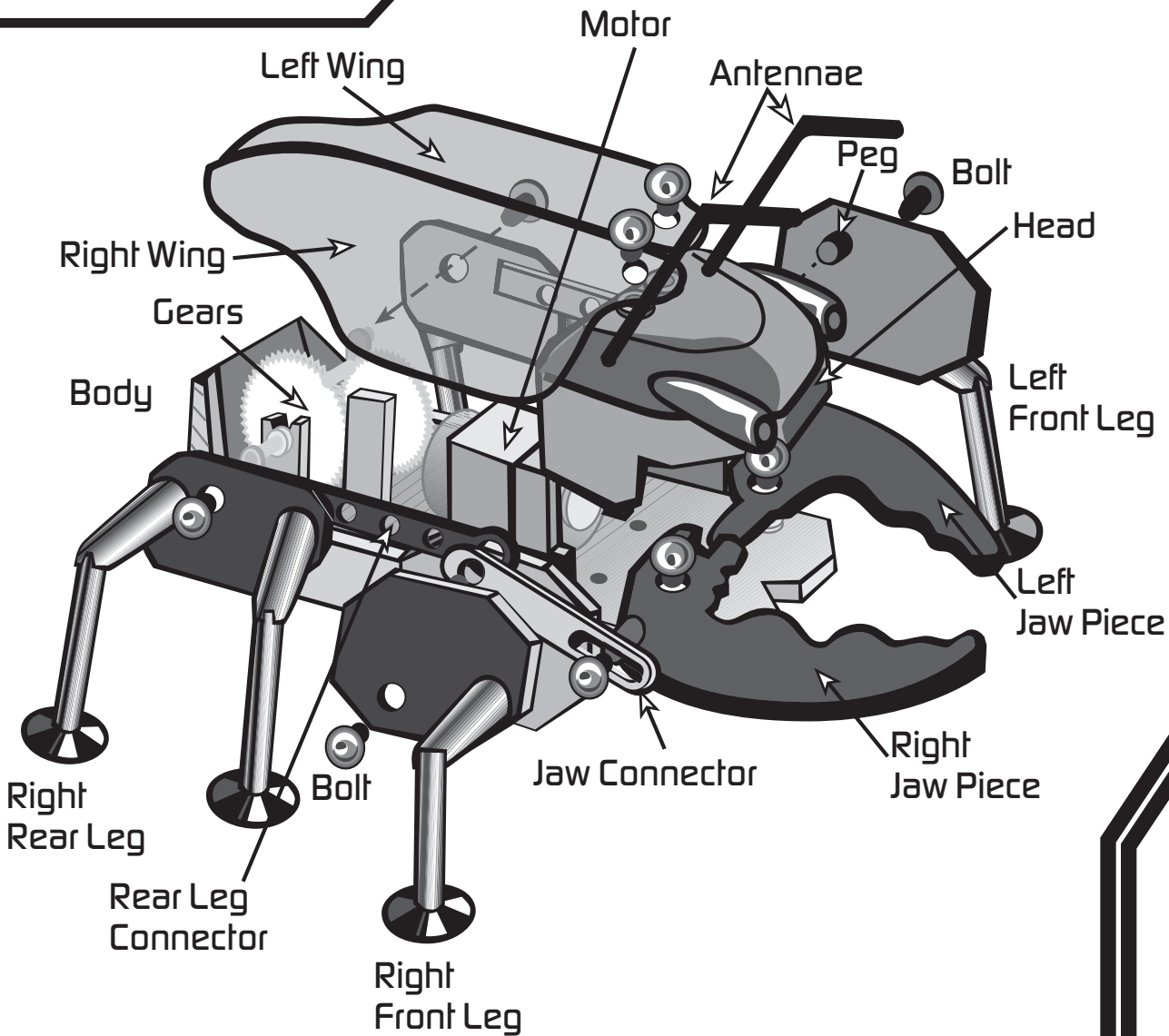


# ROBO-BUG, AWAKEN!

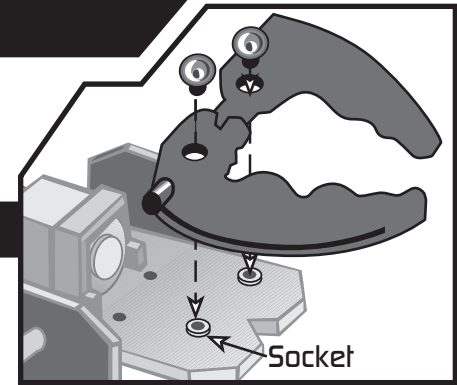
Match your pieces with the illustration below.

## SPECS:



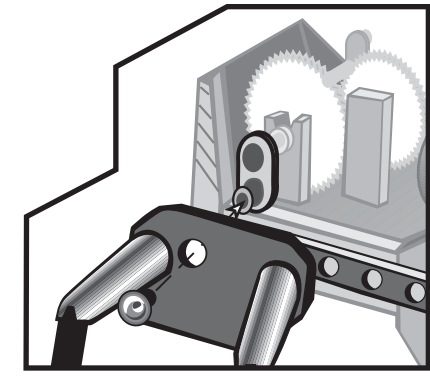
### 1 JAWS

- ➔ Place the two jaw pieces onto the socket holes. Make sure the large jaw—with the side socket—is on the right side.
- ➔ Press a bolt into each jaw piece.



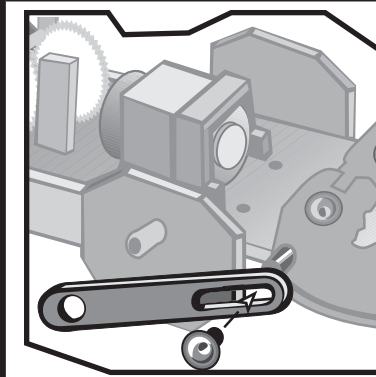
### 2 RIGHT REAR LEG

- ➔ Find the right rear leg. It has the number 1 engraved on it and has a connector attached.
- ➔ Place the leg on the gear's right socket hole.
- ➔ Press a bolt into the hole.



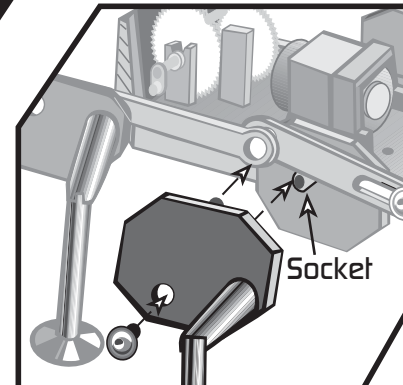
### 3 CONNECTION

- ➔ Find the jaw connector.
- ➔ Slip its oblong hole over the socket that sticks out of the large right jaw piece. Press a bolt into the socket.

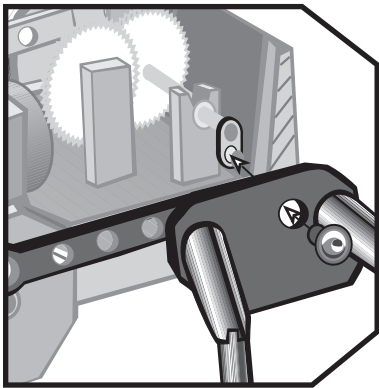


### 4 RIGHT FRONT LEG

- ➔ Match up the round hole on the jaw connector with the round hole on the rear leg connector
- ➔ Hold the connectors in place with your thumb.
- ➔ With your other hand, find the right front leg. It also has the number 1 engraved on it.
- ➔ Fit the right front leg hole over the right front leg socket while fitting the connectors onto the peg above the leg hole. It takes some balancing to get everything at once, so it might take a couple of tries.
- ➔ Press a bolt into the front leg socket.



*TIP: For this and all other steps, the "right" and "left" directions are as if Robo-Bug is walking away from you.*



5

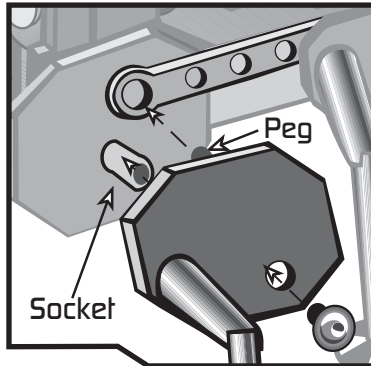
### LEFT REAR LEG

- ➔ Find the left rear leg. It has the number 2 engraved on it and has a connector attached.
- ➔ Place the leg on the gear's left socket hole.
- ➔ Press a bolt into the hole.

6

### LEFT FRONT LEG

- ➔ Find the left front leg. It also has the number 2 engraved on it.
- ➔ Fit the hole over the front socket and the peg into the connector hole. This will ensure that the front and rear legs are connected.
- ➔ Press a bolt into the socket.

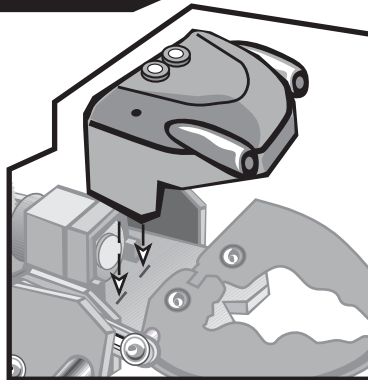


**TIP:** Press all bolts firmly into the sockets.

7

### HEAD IT UP

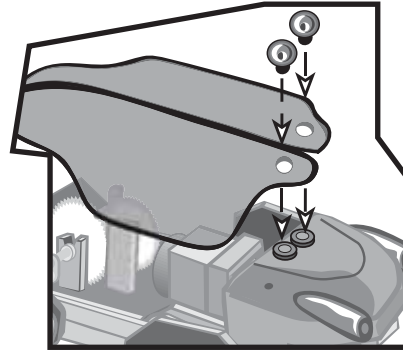
- ➔ To attach the head, fit the two pegs on the bottom of the head into the slots behind the jaw.
- ➔ Press it into place.



8

### WING AWAY

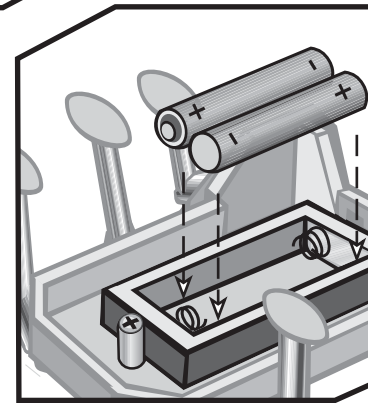
- ➔ Place the wings over each hole on the head. The straight side of each wing should rest in the center.
- ➔ Push bolts into the sockets to hold the wings in place.



9

### UNDERBELLY POWER

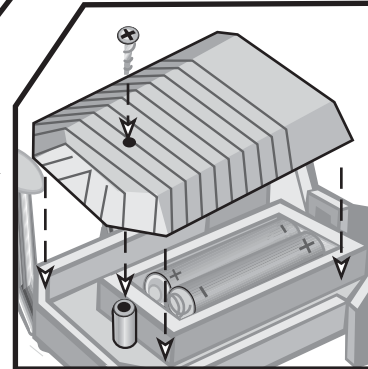
- ➔ Turn Robo-Bug over.
- ➔ Use a screwdriver to remove the safety screw from the battery compartment door. Slide the door open.
- ➔ Insert two AAA alkaline or carbon-zinc batteries, as shown.



10

### UNDERBELLY SECURITY

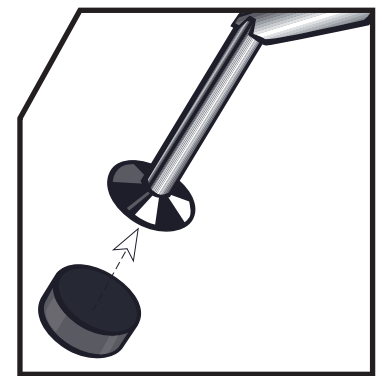
- ➔ Slide the battery compartment door back into place and secure with the safety screw.



11

### GRIPPIN' IT

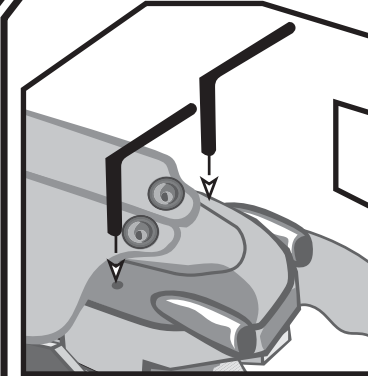
- ➔ Attach one footpad to the bottom of each leg.



12

### ANTENNAE

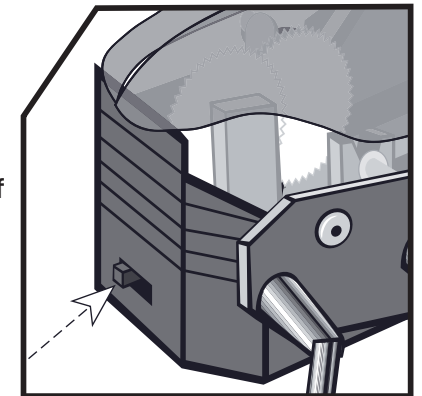
- ➔ Turn Robo-bug back over and insert two antennae into the two small holes on top of the head. The thicker end goes in first.



13

### ROBO-BUG IS ON IT

- ➔ Switch Robo-Bug on and off with the black switch on its back end.



### BATTERY CAUTIONS

- 1 To ensure proper safety and operation, battery replacement must always be done by an adult.
- 2 Never let a child use this product unless the battery door is secure.

- 3 Keep all batteries away from small children, and immediately dispose of any batteries safely.
- 4 Batteries are small objects and could be ingested.
- 5 Nonrechargeable batteries are not to be recharged.

- 6 Rechargeable batteries are not recommended for use with this toy.
- 7 The supply terminals are not to be short-circuited.
- 8 Rechargeable batteries are to be removed from the toy before being charged.

- 9 Rechargeable batteries are only to be charged under adult supervision.
- 10 Different types of batteries or new and used batteries are not to be mixed.

- 11 Only batteries of the same or equivalent types as recommended are to be used.
- 12 Do not mix alkaline, standard (carbon-zinc), or rechargeable (nickel-cadmium) batteries.

- 13 Batteries are to be inserted with the correct polarity.
- 14 Exhausted batteries are to be removed from the toy.